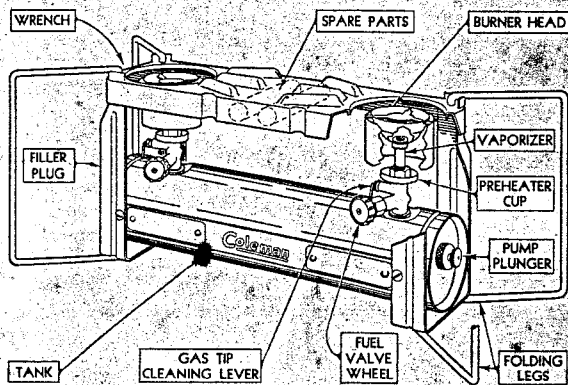


OPERATING DIRECTIONS

FOR 2-BURNER Coleman MILITARY BURNER

Vehicular Model
No. 523

Carefully follow these directions and you will experience no difficulty in operating your new Coleman Military Burner



A. TO FILL

Be sure Fuel Valves are tightly closed. Turn the Valve Wheels to the right.

Remove Filler Plug and fill Tank with fresh clean gasoline. We suggest the use of the Coleman No. 0 Filtering Funnel for straining the gasoline. Use Non-Leaded Gasoline when available. Burns leaded gasoline satisfactorily, however adequate ventilation must be provided to avoid effects from lead fumes.

As soon as Tank is filled, replace Filler Plug Cap and tighten firmly with fingers.

B. TO PUMP AIR PRESSURE

See that Fuel Valves are closed, then turn Pump Handle to left two turns. Hold thumb or palm of hand over vent hole in end of Pump Handle and pump 30 to 35 full strokes of air into the Tank. Turn Pump Handle to right to close. Additional pressure should be added later while burners are generating. Keep Pump Leather soft with a few drops of oil.

C. TO LIGHT EACH BURNER

First — Clean Gas Tip in Vaporizer by revolving, several times, the Cleaner Needle Lever located above the Valve. Stop Lever in DOWN position.

Second — Open Fuel Control Valve a quarter turn to left. After a few seconds apply lighted match at top of Burner Head. In extremely low temperatures allow Burner Head to become moist with gasoline before applying lighted match. 5 to 10 minutes are required for complete generation.

Under some conditions flame may blow itself out. Just re-light. Flame will soon settle down to steady blue.

Several strokes of the pump must be added to replace air used in generation.

Third — After flame burns steady blue for 2 or 3 minutes, open Fuel Control Valve AS FAR AS POSSIBLE.

D. TO SHUT OFF BURNER

Close Fuel Control Valves.

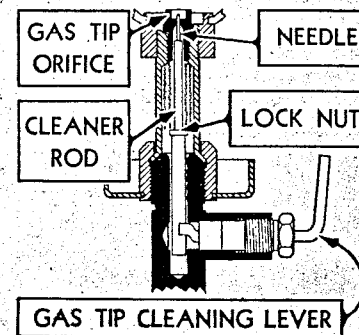
Note: Any open burner should never be used in a confined space without ventilation, especially when leaded gasoline is used as fuel.

E. TO CHANGE VAPORIZER

Remove the Burner Head by unscrewing to the left. When loosening the Jamb Nut at the base of the Vaporizer — hold the Valve Body so that it will not be loosened in the Tank.

TO CLEAN VAPORIZER — Remove Filler Screen and scrape all carbon from inside of Vaporizer. Do not force anything through gas tip hole as this would increase size of opening. If a new Filler Screen is available, insert in Vaporizer tube; however, old screen may be cleaned and reused if care is used in unrolling and re-rolling. Screen must be rolled tightly around Cleaner Rod before being put back into Vaporizer to insure proper lighting.

Care must be taken not to damage the needle when reassembling Vaporizer over the needle.



F. TO CHANGE CLEANER ROD AND NEEDLE

Turn Tip Cleaner Lever up and loosen Lock Nut at base of Cleaner Rod then unscrew rod to left. The new Cleaner Rod and Needle can now be put in and adjusted to the proper length. Be sure and lock in place after adjustment is made by using Lock Nut from old stem. When Tip Cleaner Lever is turned up the needle should come through the Gas Tip orifice about $\frac{1}{32}$ " but should not extend above the top of Gas Tip. Do not try to service a bent or otherwise damaged needle. (See illustration above for correct position of needle).

G. KEEP BURNERS CLEAN

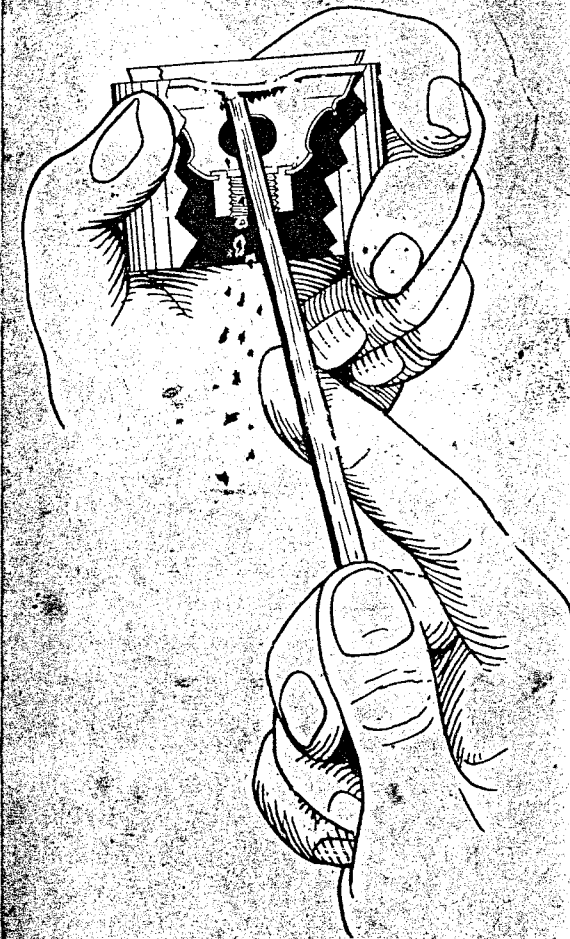
To clean burner plates:

First — Unscrew and remove the Burner Head

Second — Insert sharp stick or wire through the hole in the bottom of the Burner Head to clean or scrape carbon accumulations off the underside of the burner plates.

Third — Replace and tighten firmly on the Vaporizer.

IT IS IMPORTANT that the underside of the burner plates be cleaned frequently or every few days. Failure to do this regularly will reduce the efficiency of the burners.



ICCS/OGP