

owners manual

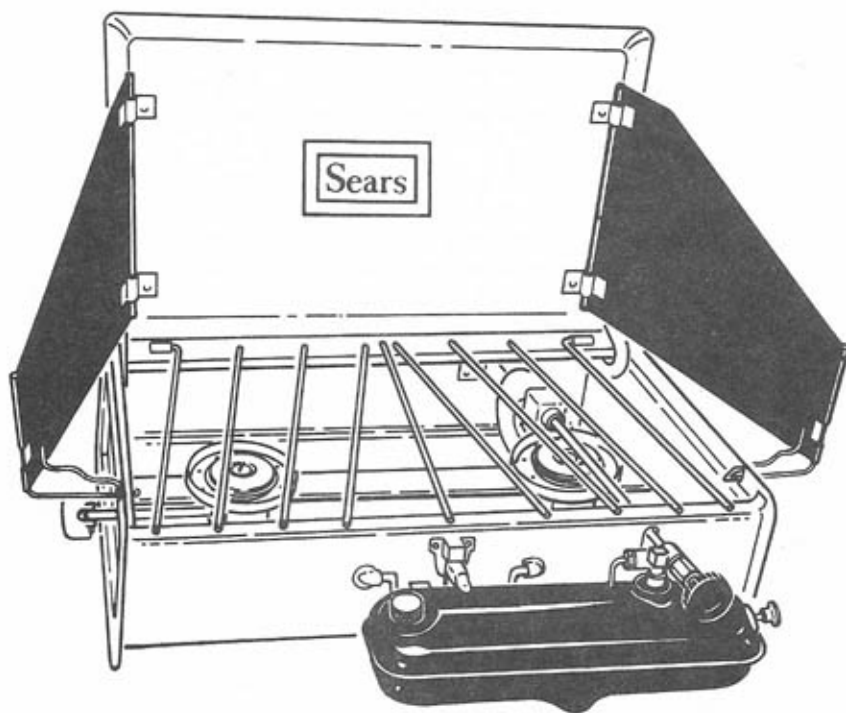


GASOLINE CAMP STOVE

MODEL NO.
476.72304

CAUTION:
Read Rules for
Safe Operation
and Instructions
Carefully

- Operating Instructions
- Repair Parts



SEARS, ROEBUCK AND CO.
Chicago, Illinois 60607

operating instructions

RULES FOR SAFE OPERATION

1. Never remove filler cap while stove is burning... or near open flame... or near excessive heat.
2. Remove tank and generator assembly from stove before filling. Always be sure tank is level to assure against overfilling.
3. Read the instructions before using.

OPERATION (REFER TO ILLUSTRATION)

TO OPEN STOVE

Unlatch and open lid. If it is windy, shield the burners by swinging wind baffles out and position them by inserting the wire clips into the slots in the ends of the stove. Raise the grate and remove the tank and generator assembly from the left rear portion of the stove.

FUEL

CAUTION: Use only Sears or Coleman fuel for long trouble-free service.

TO FILL

Turn fuel valve tightly to the right to close. Remove the filler cap from the tank. With tank in a level position, fill with clean, fresh, non-leaded fuel. The tank will hold three pints. If the purity of the fuel is questionable, it should be strained through a filter funnel or several thicknesses of finely woven cloth. After filling, replace filler cap and tighten firmly with fingers. Never remove filler cap near flame or high heat or when stove is in operation.

TO PUMP

Fuel valve and filler cap must be closed firmly. Turn pump plunger knob two complete turns to the left. Place thumb over small hole in pump plunger knob and pump 35 to 50 full strokes of air into the tank. Now turn pump plunger to the right until tight and push clear down.

TO PLACE TANK AND GENERATOR ASSEMBLY IN POSITION

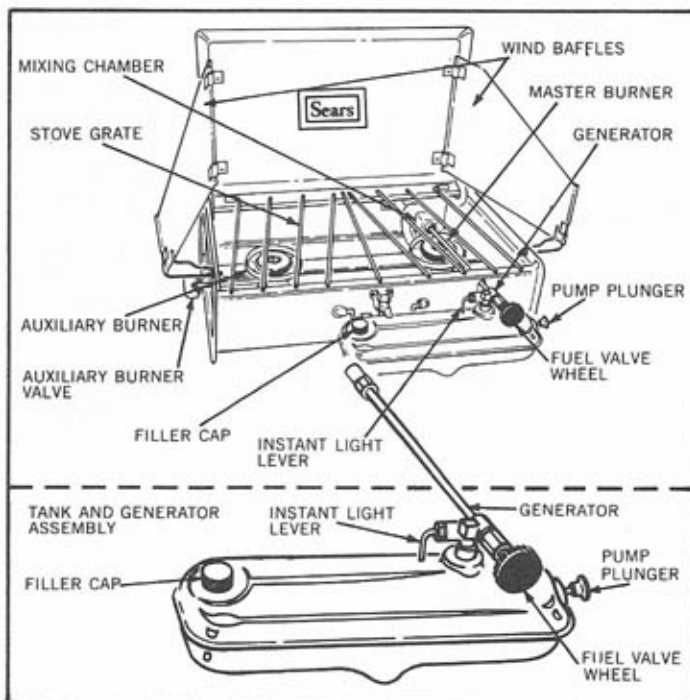
Insert the generator through the large hole in the right front of the stove casing. The generator will cross over the master burner and must be inserted in the opening of the mixing chamber. Engage the hanger brackets in the slots on the stove front to supply support for the tank.

TO LIGHT MASTER BURNER

Check to be sure auxiliary burner is off. Close auxiliary valve by turning to the right until tight. Turn instant light lever to "UP TO LIGHT" position. Hold a lighted match above the master burner and turn fuel valve wheel **WIDE** open to left. Fuel valve must be **WIDE** open to insure that the fuel is properly vaporized for the instant light process. Operate burner **WIDE OPEN** approximately one minute. When flame is quite blue, turn instant light lever to "DOWN TO BURN" position. Flame can be adjusted by turning valve wheel. Air pressure may be added to tank at any time to give a stronger flame. If flame remains low when fuel valve is opened all the way, close and open fuel valve several times. This will clean the gas tip.

TO LIGHT AUXILIARY BURNER

After all the steps have been completed in lighting the master burner, the auxiliary burner may be lighted. Hold a match above the burner and open the auxiliary valve found on the left end of the stove. The auxiliary valve is turned to the left to open. Flame can be adjusted as desired. Master burner may require adjustment after lighting the auxiliary burner.



TO SHUT OFF AUXILIARY BURNER

Turn auxiliary burner valve to the right until closed.

TO SHUT OFF MASTER BURNER

Turn instant light lever to "UP TO LIGHT" position and let burn one minute. (This cleans heavier parts of fuel from the generator.) Turn the fuel valve wheel to the right and close firmly. The flame may linger a minute or more until the gas in the generator is gone.

TO PACK STOVE

Reverse the procedure followed in opening stove. The tank and generator assembly goes in the left rear portion of the stove as you face it, with the valve wheel fitted in under the rear flange of the case.

SERVICE

USE THE RIGHT KIND OF FUEL

Substances in gasoline which do not vaporize will form carbon in the generator of your camp stove. Lead-free and low-leaded automotive gasoline will limit the length of service you receive from your stove and generator and should not be used as a fuel for this stove. Never use fuel containing lead compounds or lubricating oils.

Use only Sears or Coleman fuel. Store your fuel in a clean, closed metal container.

KEEP BURNER CLEAN

An obstruction such as a burned match near the burner will produce a yellow flame at that point.

THE PUMP PLUNGER

The pump plunger not only pumps air into the tank but acts as a wrench to turn the air stem. Turned to the left, it opens the air stem so air may be forced into the tank; turned to the right, the air stem closes the valve and provides a shutoff. Air pressure may be added while the stove is burning. Oil the leather on the plunger occasionally to keep it soft and pliable.

repair parts

P TANK CLEAN

Rinse the tank occasionally with clean fuel.

BEFORE STORING STOVE

Clean stove carefully before storing. Leave fuel in the tank. After long storage, empty tank and refill with fresh fuel.

CAUTIONS

REMOVE TANK AND GENERATOR ASSEMBLY FROM STOVE BEFORE FILLING. Spilled gasoline on the stove could cause a fire.

NEVER REMOVE FILLER CAP WHILE STOVE IS BURNING... OR NEAR OPEN FLAME...OR NEAR EXCESSIVE HEAT.

DO NOT OVERFILL TANK. Overfilling will cause flooding of the stove and possible flaming. Always be sure tank is level when filling.

Key No.	Part No.	Description
SEE BACKPAGE FOR ORDERING INFORMATION		
1.	413C3061	Auxiliary Burner Bowl
2.	413C3461	Auxiliary Burner Cap and Fillers
3.	448A5531	Grate
4.	425-3451	Master Burner Cap and Fillers
5.	413C3021	Burner Bowl (Master)
6.	413-5281	Manifold Ass'y.
7.	413866Q1	Valve and Generator Complete
	*413A5621	Generator
9.	413-6561	Valve with Stem
10.	413A6531	Stem Assembly
11.	220B175	Self-tapping Screw
12.	407-6491	Valve Wheel
13.	242-6201	Valve Stem Packing
14.	242D5201	Pump Plunger Assembly
15.	530A5071	Pump Cap Clip
16.	216-5091	Pump Cup
17.	200-533	Air Stem Assembly
18.	242B5381	Check Valve
19.	448A5601	Tank Complete
20.	220C1401	Filler Cap
21.	242-1071	Push-on Nut
	1960E025	Customers Instructions Manual
CATALOG ITEMS*		
8.	72312	413A5621 Generator

*The following part is available at your nearest Sears retail store or catalog sales office.

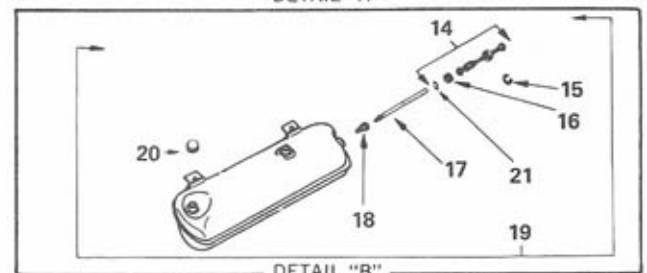
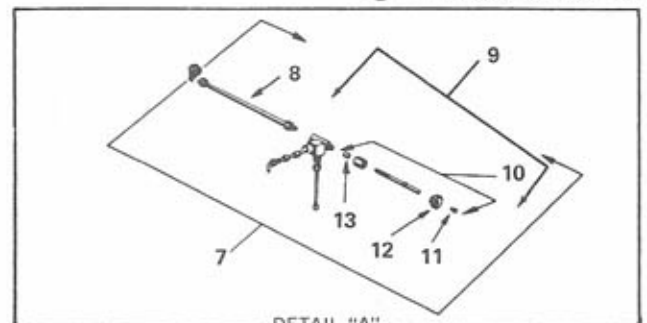
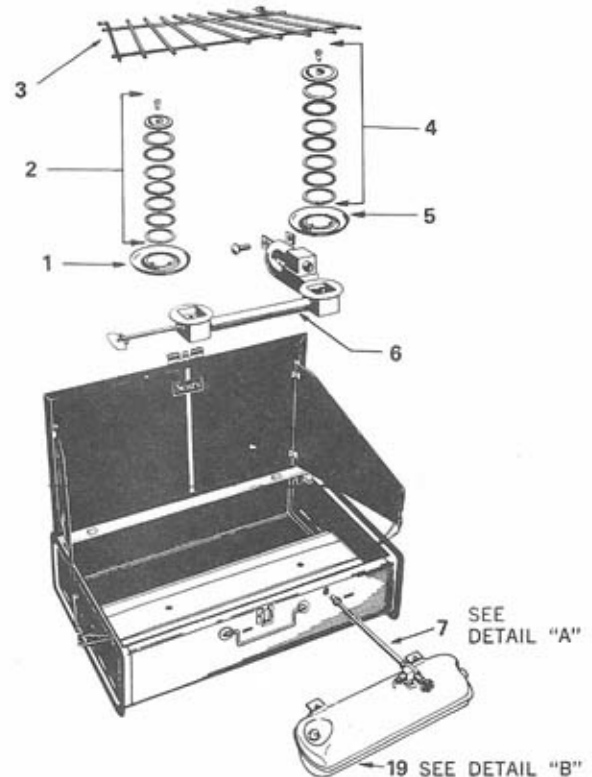
GUARANTEE

During the first year, we will repair this camp stove free of charge if defective in material or workmanship.

This guarantee service is available by simply returning the stove to any Sears store throughout the United States.

SEARS, ROEBUCK AND CO.

Model No. 476.72304



May we suggest you take a few minutes to read the operating instructions before using this stove. Notice particularly the use of the right kind of fuel which will help to obtain the best results and avoid unnecessary service expense for conditions beyond our control. Fouled or damaged generator caused by improper fuel is not covered in the guarantee.

Sears

owners manual

GASOLINE CAMP STOVE

**MODEL NO.
476.72304**

**HOW TO ORDER
REPAIR PARTS**

**SEARS SERVICE
IS AT YOUR SERVICE
WHEREVER YOU LIVE
OR MOVE IN THE U.S.A.**

The Model Number will be found stamped on the bottom center of the stove casing. Always mention the Model Number when requesting service or repair parts for your Sears Camp Stove.

HOW TO ORDER REPAIR PARTS

All parts listed herein may be ordered through SEARS, ROEBUCK AND CO. When ordering parts by mail, selling prices will be furnished on request or parts will be shipped at prevailing prices and you will be billed accordingly.

WHEN ORDERING REPAIR PARTS, ALWAYS GIVE THE FOLLOWING INFORMATION AS SHOWN IN THIS LIST.

1. The PART NUMBER
2. The MODEL NUMBER
3. The PART DESCRIPTION

Your Sears merchandise takes on added value when you discover that Sears has over 2,000 Service Units throughout the country. Each is staffed by Sears-trained professional technicians using Sears approved parts and methods.

SEARS, ROEBUCK AND CO.
Chicago, Illinois 60607