

Sears

owners manual



GASOLINE LANTERN

MODEL NO.
476.72241

CAUTION:
Read Rules for
Safe Operation
and Instructions
Carefully

- Operating Instructions
- Repair Parts



SEARS, ROEBUCK AND CO.
Chicago, Illinois 60607

operating instructions

RULES FOR SAFE OPERATION

1. To prevent burns do not handle the ventilator until lantern is cool.
2. Never remove Filler Cap while lantern is lighted, nor near open flame or excessive heat.
3. Read the instructions before using.

OPERATION

FUEL

Caution: Use only Sears or Coleman fuel for long trouble-free service.

TO FILL

Close fuel valve tightly to the right. Remove Filler Cap and fill lantern with 1½ pints of fresh, clean non-leaded fuel. Lantern should sit level all during filling. Fuel for the lantern should be strained through filter funnel or several thicknesses of finely woven cloth. After filling, replace Filler Cap and tighten firmly with fingers.

TO PUMP

Fuel Valve must be closed firmly. Turn Pump Plunger 2 turns to the left. Place thumb over small hole in end of Pump Plunger and pump 20 to 30 full strokes of air into lantern. Good pressure is important for maximum light and forming a new mantle. Now turn Pump Plunger to right until tight, then push it clear down. Oil Pump Leather occasionally to keep it soft and pliable.

TO TIE ON MANTLE

Remove Ball Nut at very top of lantern. Remove Bail, lift off the Ventilator, and take out the Pyrex Glass Globe.

1. Tie mantle around groove in burner cap, cutting off excess string.
2. Distribute folds of mantle evenly around burner cap so it will not touch generator. Flat side of mantle should face generator.
3. Light bottom of mantle evenly with a match, letting it burn until nothing but the white ash remains.
4. Light the lantern using the following instructions. Good air pressure in the fount (tank) is necessary to properly shape a new mantle.

TO LIGHT (REFER TO ILLUSTRATION AT TOP OF PAGE)

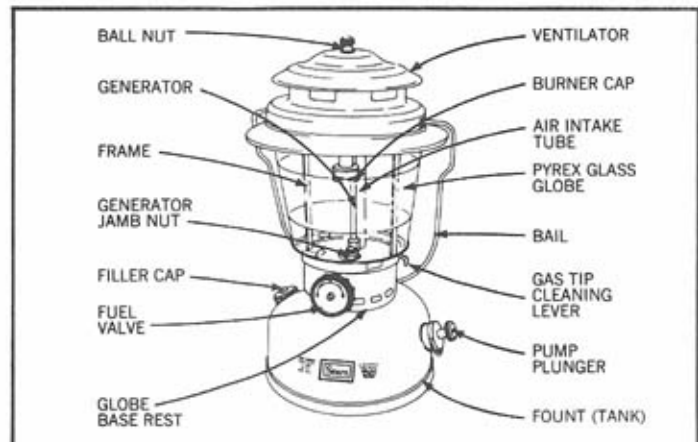
Rotate the Gas Tip Cleaning Lever at base of frame. Several turns will clean Generator Tip. Leave lever pointing down.

Open Fuel Valve one-fourth turn. Push lighted match through lighter hole in base of frame and hold it under Mantle. Mantle will light instantly when air and gas mixture reaches it. After Mantle burns brightly, open Fuel Valve all the way to the left. Opening Valve all the way is important. Then pump in additional air for maximum light.

If lantern does not burn brightly with Fuel Valve wide open, rotate Gas Tip Cleaning Lever several times. Lantern may flicker a bit but will immediately burn brightly.

TO TURN OUT LIGHT

Close Fuel Valve firmly. Light will go out in a few seconds.



SERVICE

USE THE RIGHT KIND OF FUEL

Substances in gasoline which do not vaporize will form carbon in the generator of your lantern. The length of service you get from your lantern and generator depends greatly upon the kind of fuel you use.

Use only Sears or Coleman fuel. Never use fuel containing lead compounds or lubricating oils. Store your fuel in a clean, closed metal container.

TO CHANGE GENERATOR

Remove Bail, Ventilator, and Pyrex Globe. Remove Nut which holds Burner and Frame to lantern. Carefully lift Frame up over Generator to avoid damage to Mantle.

Turn Gas Tip Cleaning Lever up. Remove Nut at lower end of Generator. Lift Generator up and unhook Cleaning Needle.

Pull end of Cleaning Needle out of new Generator far enough to hook into hole in Eccentric Block (item 12 in repair parts diagram). After hooking Needle to Eccentric Block turn Gas Tip Cleaning Lever down. Slide Nut over Generator and tighten firmly with wrench to prevent a leak.

Reassemble. Be careful when placing Frame down over Generator to avoid breaking Mantle.

CLEANING LANTERN

Rinse Fount (tank) occasionally with clean fuel to remove sediment or moisture accumulations.

Clean Burner Cap Screen with small, stiff brush prior to installing new Mantle.

EMPTY FUEL FROM TANKS if lantern will not be used for several weeks. Emptying prevents gum accumulating in Valve and Fuel Tubes.

GENERAL SUGGESTIONS

IF LANTERN BLAZES AND SMOKES more than a few seconds when first lit, close valve and reopen one-fourth turn as soon as light dims.

IF LANTERN DOES NOT LIGHT, check air pressure, fuel content and check pliability of pump leather. Remove Generator and unscrew Gas Tip to make sure point of needle has not been bent or curled. Open valve slightly to make sure fuel will come through valve.

repair parts

UTION

DO NOT OVERFILL LANTERN. The lantern should sit level all during filling to maintain air level in tank. Overfilling will cause excessive flaming of lantern.

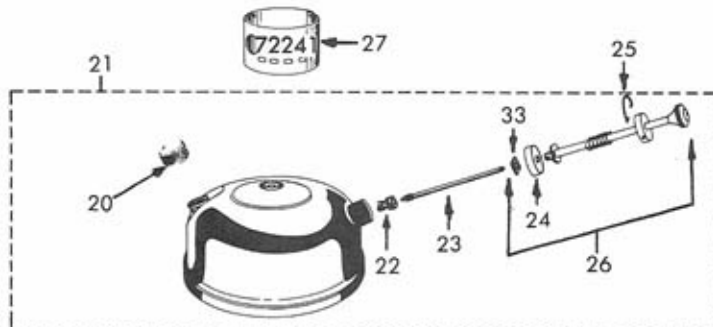
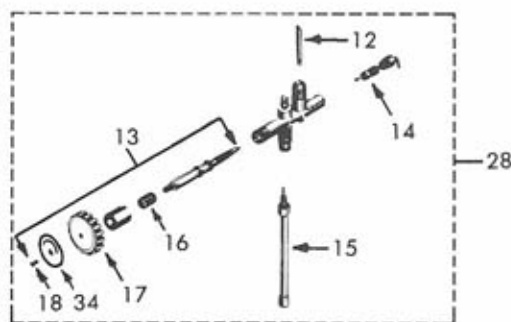
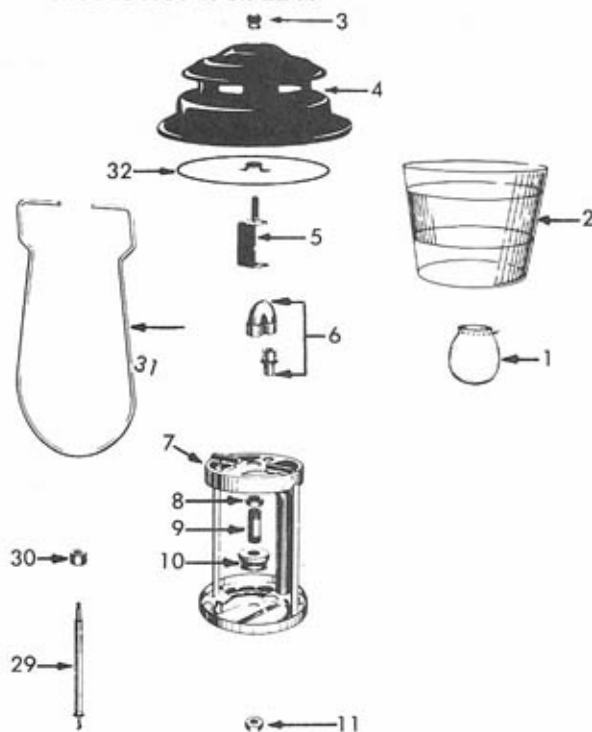
OPEN FUEL VALVE ONE-FOURTH TURN TO LIGHT.

Opening valve more than one-fourth turn to light will cause excessive flaming and possible explosion.

NEVER OPEN FILLER CAP WHEN LANTERN IS BURNING... is near open flame...or is near excessive heat.

ALWAYS WIPE OFF FUEL THAT WAS SPILLED DURING THE FILLING PROCESS BEFORE LIGHTING LANTERN.

MODEL NO. 476.72241



Key No.	Part No.	Description
SEE BACK PAGE FOR ORDERING INFORMATION		
* 1.	021A340	(or 21A3101) Mantles
* 2.	270A0511	Globe
3.	203-441	Ventilator Ball Nut
4.	270B4851	Ventilator
5.	270B6631	Ventilator Bracket
6.	200A3261	"U" Tube and Venturi
7.	270A6621	Burner Frame Assembly
8.	200-4561	Lock Nut
9.	200-3241	Burner Tube
10.	242-3231	Burner Cap and Screen
11.	426-426	Frame Nut
12.	242-3041	Eccentric Block
13.	270A6531	Valve Stem Assembly
14.	202-3531	Tip Cleaner Stem
15.	270-5461	Fuel and Air Tube Complete
16.	242-6201	Valve Stem Packing
17.	407-6491	Valve Wheel
18.	220B175	Self-Tapping Screw
19.		Deleted
20.	220C1401	Filler Cap Complete
21.	270B1651	Fount Complete
22.	242B5381	Check Valve
23.	200-533	Air Stem Assembly
24.	216-5091	Pump Cup
25.	530A5071	Pump Cap Clip
26.	242D5201	Pump Plunger Complete
27.	270D4891	Globe Base Rest
28.	270A6571	Fuel Valve Complete (Less Generator)
*29.	270-5891	(or 200A5891) Generator
30.	605-210	Jamb Nut
31.	270-4231	Bail
32.	270A106	Ventilator Disc
33.	242-1071	Push-On Nut
34.	260-119	Direction Disc
	1960D019	Customers Instructions Manual

* CATALOG ITEMS

1.	72225	Mantle
2.	72232	Globe
29.	72226	Generator

*These parts available through your Sears retail store or catalog sales office.

GUARANTEE

The Sears Lantern is guaranteed for one year from date of purchase against mechanical defect. Fouled or damaged generator not included.

SEARS, ROEBUCK AND CO.
Chicago, Illinois 60607

Sears

owners manual

GASOLINE LANTERN

**MODEL NO.
476.72241**

HOW TO ORDER REPAIR PARTS

The Model Number will be found on the lantern globe base rest. Always mention the Model Number when requesting service or repair parts for your Sears Lantern.

HOW TO ORDER REPAIR PARTS

All parts listed herein may be ordered through SEARS, ROEBUCK AND CO. When ordering parts by mail, selling prices will be furnished on request or parts will be shipped at prevailing prices and you will be billed accordingly.

WHEN ORDERING REPAIR PARTS, ALWAYS GIVE THE FOLLOWING INFORMATION AS SHOWN IN THIS LIST.

1. The PART NUMBER
2. The MODEL NUMBER
3. The PART DESCRIPTION

**SEARS SERVICE
IS AT YOUR SERVICE
WHEREVER YOU LIVE
OR MOVE IN THE U.S.A.**

Your Sears merchandise takes on added value when you discover that Sears has over 2,000 Service Units throughout the country. Each is staffed by Sears-trained professional technicians using Sears approved parts and methods.

**SEARS, ROEBUCK AND CO.
Chicago, Illinois 60607**